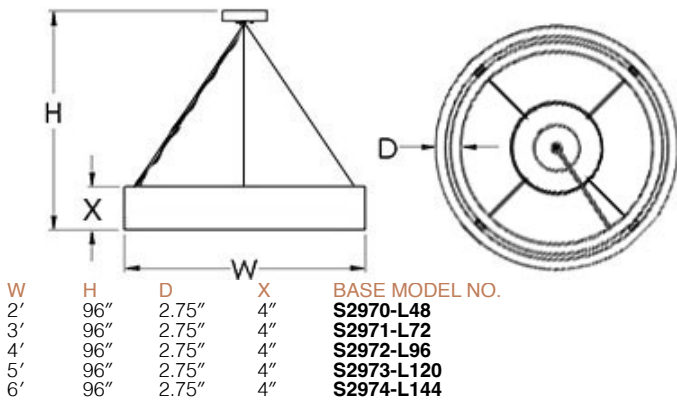




DIMENSIONS



SPECIFICATIONS

Driver: 0-10V dimming to 1%, 120/277

Mounting: Mounts to all Standard Electrical Junction Boxes (by others) With Hardware Provided.

FEATURES

- Solid Aluminum Material
- Canopy Mounted Drivers
- Clear Silver Braided Cord with Adjustable Aircraft Cables
- Lens Free
- LED 0-10V Dimming Driver

ORDER AS A COMPLETE UNIT:

Model No.	+ Lamp Code	+ Finish Code	+ OA	+ Option Code	Option
S2970-L48	+ 27K	+ PT	+ OA	+ Option	
S2971-L72	30K	XT			
S2972-L96	35K	CC			
S2973-L120	40K				
S2974-L144					

FINISHES

PT Powder Coated Finishes*

XT Trending Brushed Metal Finishes*

CC Custom Painted Finish

*(Specify Color Code from the list of Finishes – ie. Gold Touch would be 'GT')

OPTIONS

BAC Buy America; Buy American Act; and Build America, Buy America Act Compliant.

EML Remote 10W Emergency LED Battery Backup (Requires Additional Power Cable)

MCR Minimal Canopy – Remote Driver Option (4 Vertical Cables and Canopies)

LIGHT OUTPUT

LXX = ~ 85 LPW Delivered Lumens (Example: L72= 72 x 85 = 6,120 Lumens)